



POT STRAINER

Series : SI - PN-16

S.I. (SI-PN-16 & SI-1001 H) Series Pot Strainers are manufactured in a wide variety of required specifications, Temperature / Pressure Rating & different types to meet specific requirement of Straining application in the HVAC System Water Line, Oil Field, Agriculture, *etc.*

FEATURES

High Capacity flow through out full size In-let / Out-let connection with large Flow Filtration area to minimize Pressure Drop and screen choking problems.

The cover is connected to the Body with Nuts & Studs and the filter screen is readily accessible and easily exchangeable.

APPLICATION

These Strainers are used in application for Industrial use and are provided with most modern design and construction, in accordance with the latest requirement of National & International standards. These Strainers are recommended for most types of Industrial Applications, ideal for HVAC & R Systems, Petrochemicals, Textiles, Agriculture, *etc.*

CONSTRUCTION FEATURES

Body available in Mild Steel or Stainless Steel with Brass/Bronze/Stainless Steel Filter Screens.

AVAILABLE SIZES

These Pot Strainers are available in various Types / Designs & sizes from 40mm upto 1000mm Flanged End Connection only.

QUALITY CONTROL

All the Raw Material used in the construction of these Strainer are produced from highest quality material and subject to stringent quality control. Each and every Strainer is Pressure tested prior to leaving factory.



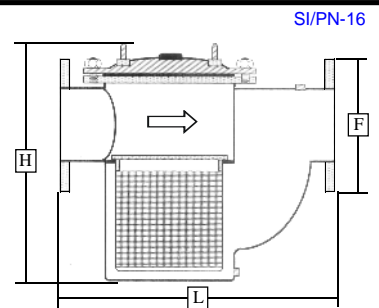
PIC-P-1



PIC-P-2



| NOMINAL SIZES | (DN) MM | 50 | 65 | 80 | 100 | 125 | 150 | 200 | 250 | 300 |
|------------------|---------|-----|-----|-----|-----|-----|-----|-----|-----|-----|
| H | MM | 280 | 304 | 330 | 406 | 495 | 546 | 660 | 812 | 914 |
| L | MM | 254 | 305 | 337 | 419 | 482 | 533 | 635 | 762 | 838 |
| F | MM | 152 | 165 | 184 | 215 | 254 | 279 | 336 | 406 | 475 |
| Flange Thickness | MM | 8 | 10 | 10 | 12 | 12 | 14 | 16 | 18 | 20 |



MATERIAL OF CONSTRUCTION (Drawing No : SI-PN-16)

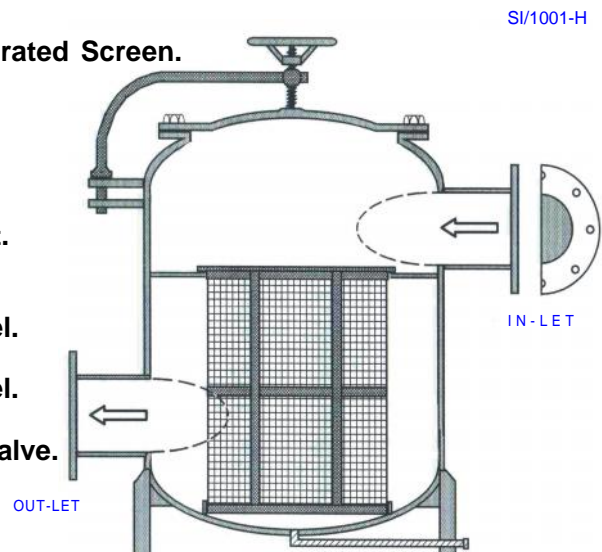
- 1 Pot Strainer Body (Optional) : Mild Steel / Stainless Steel.
- 2 Pot Strainer Bonnet (Optional) : Cast Iron / Mild Steel / Stainless Steel.
- 3 Connecting Studs / Nuts : A - 307, Grade B.
- 4 Filter Screen : Stainless Steel Perforated Screen.
- 5 Body / Bonnet Gasket : Black Rubber Gasket / CAF.
- 6 Flanges (Optional) : Drilled As Per BS, ANSI, ASA Standards
- 7 Drain Plug : Mild Steel / Stainless Steel - 410.

AVAILABLE SIZES : 40 MM TO 800 MM

NOTE : DIMENSIONS FOR POT STRAINER (DRG. NO : SI/PN-16) ABOVE 300MM ARE ONLY AVAILABLE ON REQUEST.

MATERIAL OF CONSTRUCTION (Drawing No : SI-1001 H)

- 1 Strainer Body : Mild Steel / Stainless Steel.
- 2 Strainer Bonnet : Mild Steel / Stainless Steel.
- 3 Filter Screen : Stainless Steel Perforated Screen.
- 4 Body / Bonnet Gasket : Black Rubber Gasket.
- 5 Swing Arrangement System : Heavy Duty Mild Steel.
- 6 Hand Wheel : Heavy Duty Mild Steel.
- 7 Drain Plug : S.S.-410/Brass Ball Valve.



AVAILABLE SIZES : 50 MM TO 1000 MM

POT STRAINER - DIMENSIONS

| | | | |
|---------------|-------------------------|---|---------|
| 50 mm | POT DIAMETER | : | 300 mm |
| | POT HEIGHT | : | 400 mm |
| | FLANGE TO FLANGE LENGTH | : | 460 mm |
| | BASKET DIAMETER | : | 200 mm |
| | BASKET HEIGHT | : | 240 mm |
| | PIPE LINE CONNECTION | : | 050 mm |
| 65 mm | POT DIAMETER | : | 325 mm |
| | POT HEIGHT | : | 425 mm |
| | FLANGE TO FLANGE LENGTH | : | 505 mm |
| | BASKET DIAMETER | : | 225 mm |
| | BASKET HEIGHT | : | 240 mm |
| | PIPE LINE CONNECTION | : | 065 mm |
| 80 mm | POT DIAMETER | : | 350 mm |
| | POT HEIGHT | : | 450 mm |
| | FLANGE TO FLANGE LENGTH | : | 550 mm |
| | BASKET DIAMETER | : | 250 mm |
| | BASKET HEIGHT | : | 250 mm |
| | PIPE LINE CONNECTION | : | 080 mm |
| 100 mm | POT DIAMETER | : | 450 mm |
| | POT HEIGHT | : | 500 mm |
| | FLANGE TO FLANGE LENGTH | : | 600 mm |
| | BASKET DIAMETER | : | 300 mm |
| | BASKET HEIGHT | : | 280 mm |
| | PIPE LINE CONNECTION | : | 100 mm |
| 125 mm | POT DIAMETER | : | 500 mm |
| | POT HEIGHT | : | 600 mm |
| | FLANGE TO FLANGE LENGTH | : | 660 mm |
| | BASKET DIAMETER | : | 330 mm |
| | BASKET HEIGHT | : | 340 mm |
| | PIPE LINE CONNECTION | : | 125 mm |
| 150 mm | POT DIAMETER | : | 540 mm |
| | POT HEIGHT | : | 700 mm |
| | FLANGE TO FLANGE LENGTH | : | 710 mm |
| | BASKET DIAMETER | : | 360 mm |
| | BASKET HEIGHT | : | 390 mm |
| | PIPE LINE CONNECTION | : | 150 mm |
| 200 mm | POT DIAMETER | : | 610 mm |
| | POT HEIGHT | : | 815 mm |
| | FLANGE TO FLANGE LENGTH | : | 785 mm |
| | BASKET DIAMETER | : | 400 mm |
| | BASKET HEIGHT | : | 470 mm |
| | PIPE LINE CONNECTION | : | 200 mm |
| 250 mm | POT DIAMETER | : | 0800 mm |
| | POT HEIGHT | : | 0995 mm |
| | FLANGE TO FLANGE LENGTH | : | 0990 mm |
| | BASKET DIAMETER | : | 0550 mm |
| | BASKET HEIGHT | : | 0510 mm |
| | PIPE LINE CONNECTION | : | 0250 mm |

MATERIAL OF CONSTRUCTION

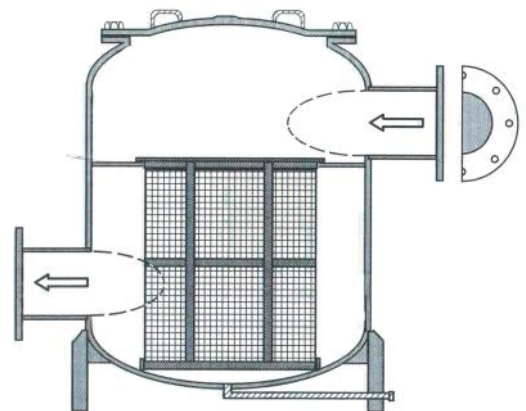
- 1 Strainer Body : Mild Steel / Stainless Steel.**
- 2 Strainer Bonnet : Mild Steel / Stainless Steel.**
- 3 Filter Screen : Stainless Steel Perforated Screen.**
- 4 Body / Bonnet Gasket : Black Rubber Gasket.**
- 5 Drain Plug : S.S.- 410 / Brass Ball Valve.**
- 6 Flanges : As Per BS, ANSI, ASA**

INSPECTION & TESTING
OF POT STRAINER AS
PER

BS - 6755

PART-1

SHELL =PN-10/PN-16



DRG. NO : SI/1001-H

POT STRAINER - DIMENSIONS

With Swing Arrangement System (From 400mm On-wards)

| | | | |
|---------------|-------------------------|---|---------|
| 300 mm | POT DIAMETER | : | 1000 mm |
| | POT HEIGHT | : | 1105 mm |
| | FLANGE TO FLANGE LENGTH | : | 1200 mm |
| | BASKET DIAMETER | : | 0750 mm |
| | BASKET HEIGHT | : | 0580 mm |
| | PIPE LINE CONNECTION | : | 0300 mm |
| | | | |
| 350 mm | POT DIAMETER | : | 1190 mm |
| | POT HEIGHT | : | 1300 mm |
| | FLANGE TO FLANGE LENGTH | : | 1400 mm |
| | BASKET DIAMETER | : | 0895 mm |
| | BASKET HEIGHT | : | 0678 mm |
| | PIPE LINE CONNECTION | : | 0350 mm |

Pot Strainers With Swing Arrangement System

| | | | |
|---------------|-------------------------|---|---------|
| 400 mm | POT DIAMETER | : | 1350 mm |
| | POT HEIGHT | : | 1500 mm |
| | FLANGE TO FLANGE LENGTH | : | 1600 mm |
| | BASKET DIAMETER | : | 1020 mm |
| | BASKET HEIGHT | : | 0785 mm |
| | PIPE LINE CONNECTION | : | 0400 mm |
| | | | |
| 450 mm | POT DIAMETER | : | 1518 mm |
| | POT HEIGHT | : | 1700 mm |
| | FLANGE TO FLANGE LENGTH | : | 1780 mm |
| | BASKET DIAMETER | : | 1060 mm |
| | BASKET HEIGHT | : | 0890 mm |
| | PIPE LINE CONNECTION | : | 0450 mm |
| | | | |
| 500 mm | POT DIAMETER | : | 1690 mm |
| | POT HEIGHT | : | 1800 mm |
| | FLANGE TO FLANGE LENGTH | : | 1956 mm |
| | BASKET DIAMETER | : | 1100 mm |
| | BASKET HEIGHT | : | 0900 mm |
| | PIPE LINE CONNECTION | : | 0500 mm |
| | | | |
| 600 mm | POT DIAMETER | : | 2000 mm |
| | POT HEIGHT | : | 2200 mm |
| | FLANGE TO FLANGE LENGTH | : | 2286 mm |
| | BASKET DIAMETER | : | 1500 mm |
| | BASKET HEIGHT | : | 1160 mm |
| | PIPE LINE CONNECTION | : | 0600 mm |
| | | | |
| 650 mm | POT DIAMETER | : | 2006 mm |
| | POT HEIGHT | : | 2235 mm |
| | FLANGE TO FLANGE LENGTH | : | 2310 mm |
| | BASKET DIAMETER | : | 1550 mm |
| | BASKET HEIGHT | : | 1160 mm |
| | PIPE LINE CONNECTION | : | 0650 mm |

MATERIAL OF CONSTRUCTION

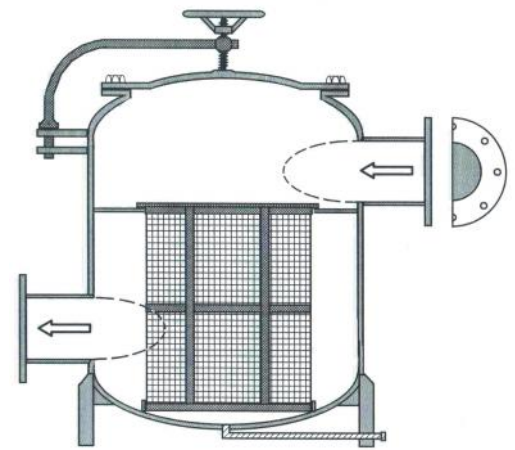
- 1 **Strainer Body** : Mild Steel / Stainless Steel.
- 2 **Strainer Bonnet** : Mild Steel / Stainless Steel.
- 3 **Filter Screen** : Stainless Steel Perforated Screen.
- 4 **Body / Bonnet Gasket** : Black Rubber Gasket.
- 5 **Drain Plug** : Brass Ball Valve.
- 6 **Flanges** : As Per BS, ANSI, ASA.
- 7 **Swing Arrangement System (From 400mm Onwards)** : Heavy Duty Mild Steel.
- 8 **Hand Wheel** : Heavy Duty Mild Steel / Cast Iron.

INSPECTION & TESTING
OF POT STRAINER
AS PER

BS - 6755

PART-1

SHELL=PN-10/PN-16



DRG. NO : SI/1001-H